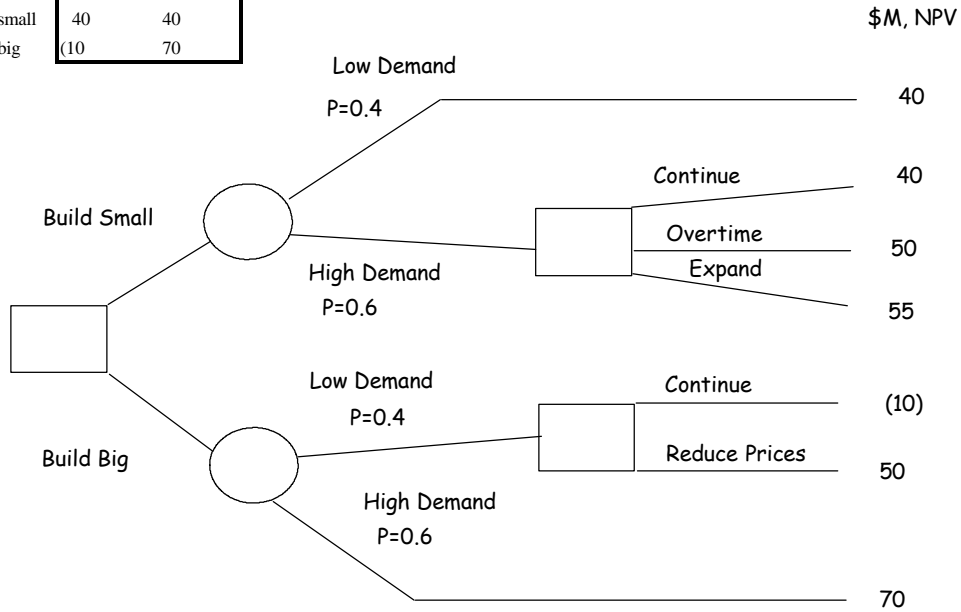


Future Options may change the decision

Demand	low	high
Probability	0.4	0.6
	<u>\$M, NPV</u>	
build small	40	40
build big	(10)	70



EVPI=